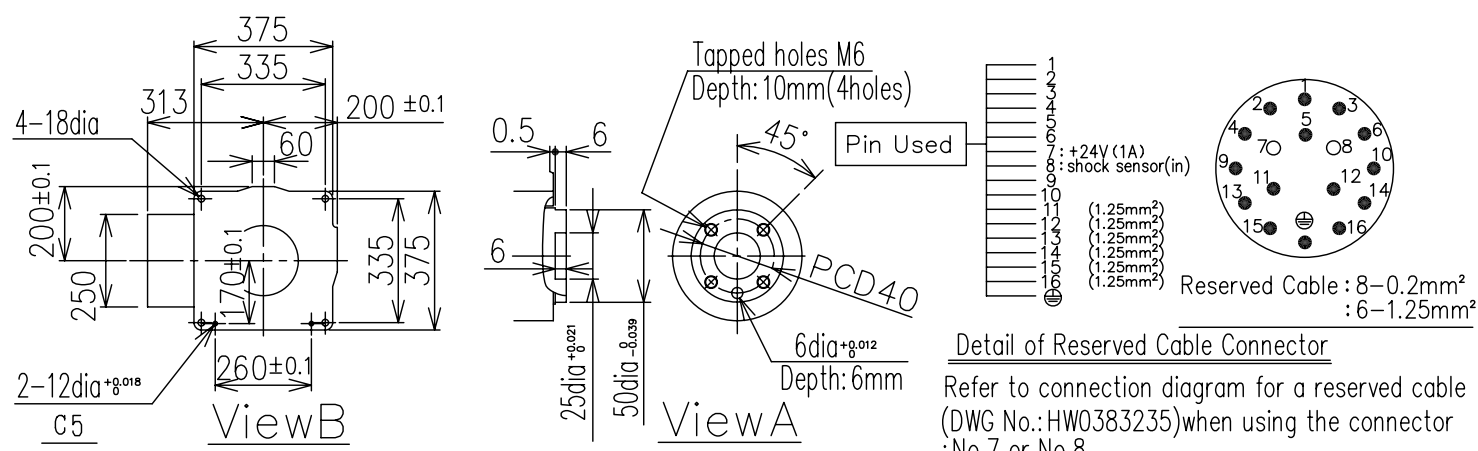
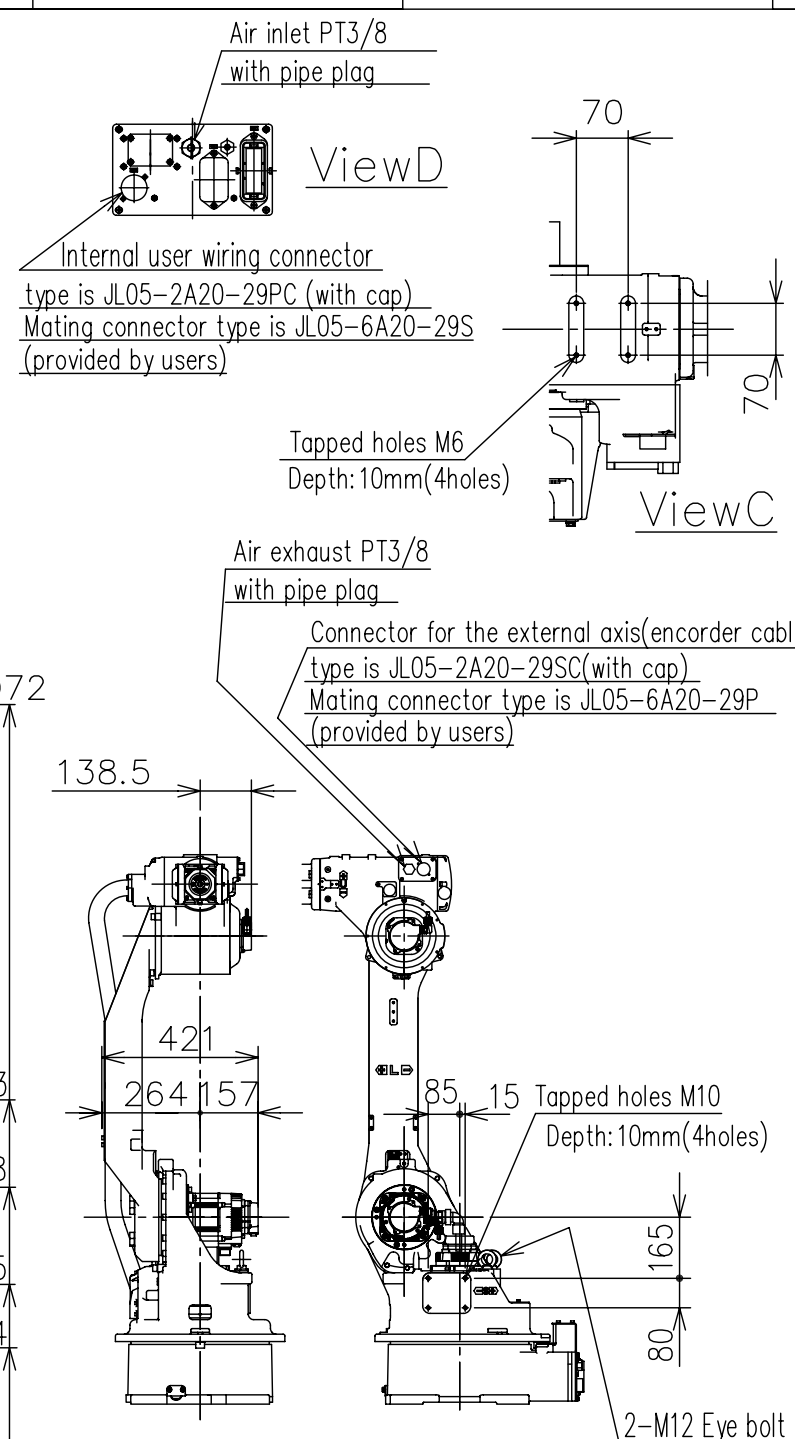


This drawing is applicable with following type.

Type	Note
YR-HP020D-A00	Standard



Item	Model	MOTOMAN-HP20D
Configuration		Articulated Robot
Degree of Freedom		6
Payload		20kg
Repeatability		±0.06mm
Range of Motion	S-Axis(Turning)	±180°
	L-Axis(Lower Arm)	+155°, -110°
	U-Axis(Upper Arm)	+255°, -165°
	R-Axis(Roll)	±200°
	B-Axis(Pitch/Yaw)	+230°, -50°
	T-Axis(Twist)	±360°
Max Speed	S-Axis	3.44rad/s, 197°/s
	L-Axis	3.05rad/s, 175°/s
	U-Axis	3.26rad/s, 187°/s
	R-Axis	6.98rad/s, 400°/s
	B-Axis	6.98rad/s, 400°/s
Allowable Moment	R-Axis	39.2N·m(4.0kgf·m)
	B-Axis	39.2N·m(4.0kgf·m)
	T-Axis	19.6N·m(2.0kgf·m)
Allowable Inertia (GD ² /4)	R-Axis	1.05kg·m ²
	B-Axis	1.05kg·m ²
	T-Axis	0.75kg·m ²
Approx. Robot mass		268kg
Ambient Conditions	Temperature	0 to 45°C
	Humidity	20 to 80%RH (Non-Codensing)
	Vibration	Less than 4.9m/s ² (0.5G)
	Others	• Free from explosive or corrosive gas and liquid. • Free from dust, oil, of water. • Free from electrical noise.
	Power Requirements	

• SI units are used in this table. However, gravitational units are uses in ().
• Repeatability is conformed to ISO 9283.